

MANHOLE SCHEDULE FOR FIC-01						
Manhole No.	Size	Cover Level (m)	Invert Level (m)	MH-Distance Reference	Distance (m)	Depth (m)
MH-01	600x600	+25.07	+24.62	STARTING POINT	-	0.450
MH-02	600x600	+25.07	+24.55	MH-01 TO MH-02	7.786	0.520
MH-03	600x600	+25.07	+24.48	MH-02 TO MH-03	7.350	0.590
MH-04	600x600	+25.07	+24.41	MH-03 TO MH-04	7.297	0.660
MH-05	600x600	+25.07	+24.36	MH-04 TO MH-05	5.500	0.710
MH-06	600x600	+25.07	+24.28	MH-05 TO MH-06	8.423	0.790
MH-07	600x600	+25.07	+24.19	MH-06 TO MH-07	9.741	0.880
FIC-01	600x600	+25.07	+24.15	MH-07 TO FIC-01	3.718	0.920

1) Cover levels shall be taken from architectural drawings.
 2) Minimum depth of Manhole shall be 450 mm
 3) Maximum distance of the two successive manholes shall be 15 m
 4) Manholes covers shall be with heavy weight resistance on the parking area.

NOTES:
 1. This drawing is the copyright of AL AMIR ENGINEERING CONSULTANTS.- DUBAI, U. A. E.
 2. Do not scale from this drawing.
 3. All dimensions aCO in CM
 4. This drawing should be COad in conjunction with other COlevant Architectural, Structural, Mechanical and Electrical drawings and all COlevant sections of the specifications.

SL. NO.	SYMBOL	DESCRIPTION
1		WASTE PIPE (WP)
2		VENT PIPE (VP)
3		CONDENSATE DRAIN PIPE (CDP)
4		PCOSSURIZED PIPE (PP)
5		RAIN WATER PIPE
6		SOIL PIPE
7	RWP	RAIN WATER PIPE
8	PBMH	PRESSURE BREAKING MANHOLE
9	FIC	FINAL INSEPECTION CHAMPER
10	C.L	COVER LEVEL
11	IL	INVERT LEVEL
12	F/A	FROM ABOVE
13	F/B	FROM BELOW
14	T/A	TO ABOVE
15	T/B	TO BELOW
16	H/L	HIGH LEVEL
17	CO	CLEAN OUT
18	FCO	FLOOR CLEAN OUT
19	ST	SAND TRAP
20	GT	GULLY TRAP
21	CB	CATCH BASIN WITH SAND BUCKET OF 160mm.DEPTH.MINIMUM
22	FD	FLOOR DRAIN
23	CG	CHANNEL GRATING
24	MH	MANHOLE

Consultant:

 042941911
 Info@alnoorcon.com
 alnoorcon.com
 Dubai - Al Garhoud
 Liberty building- office 102

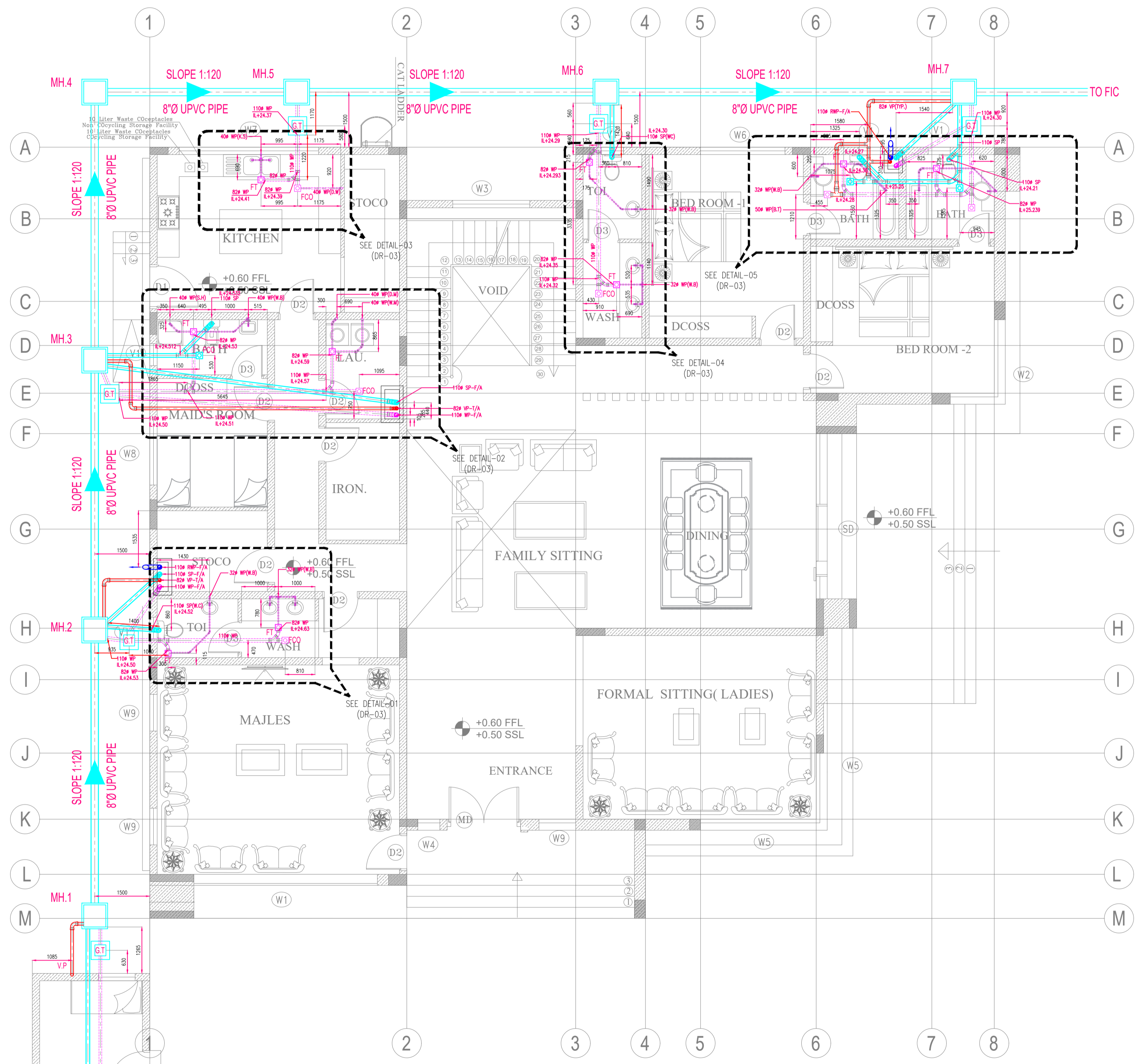
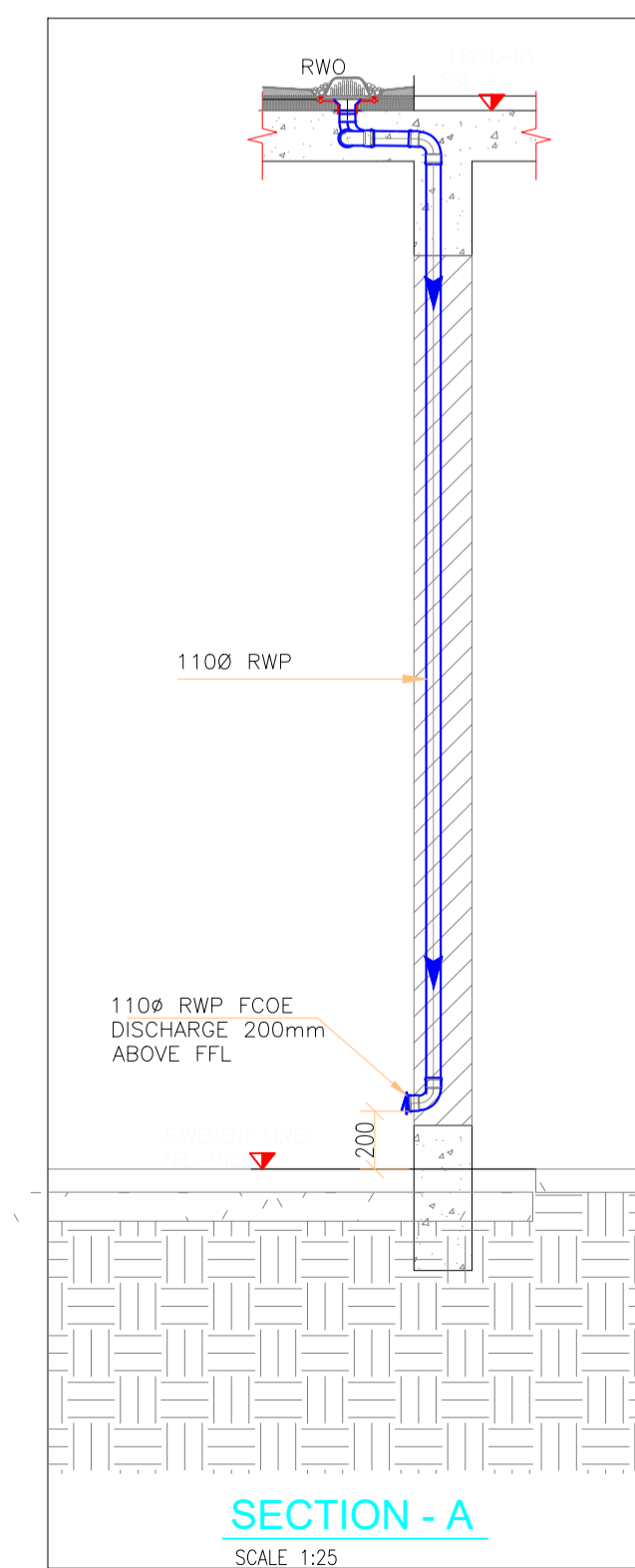
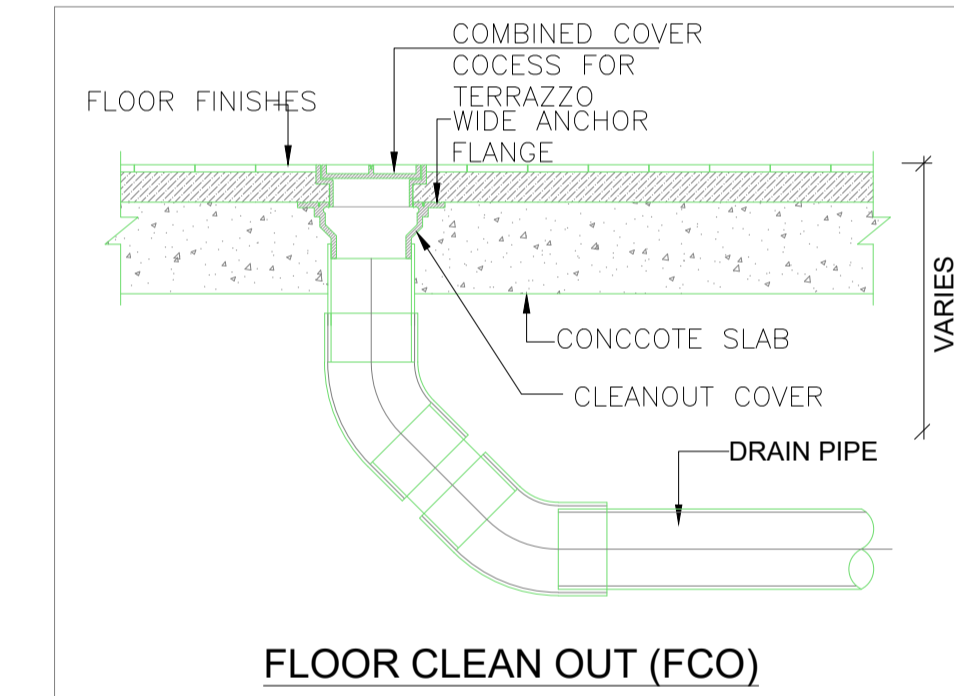
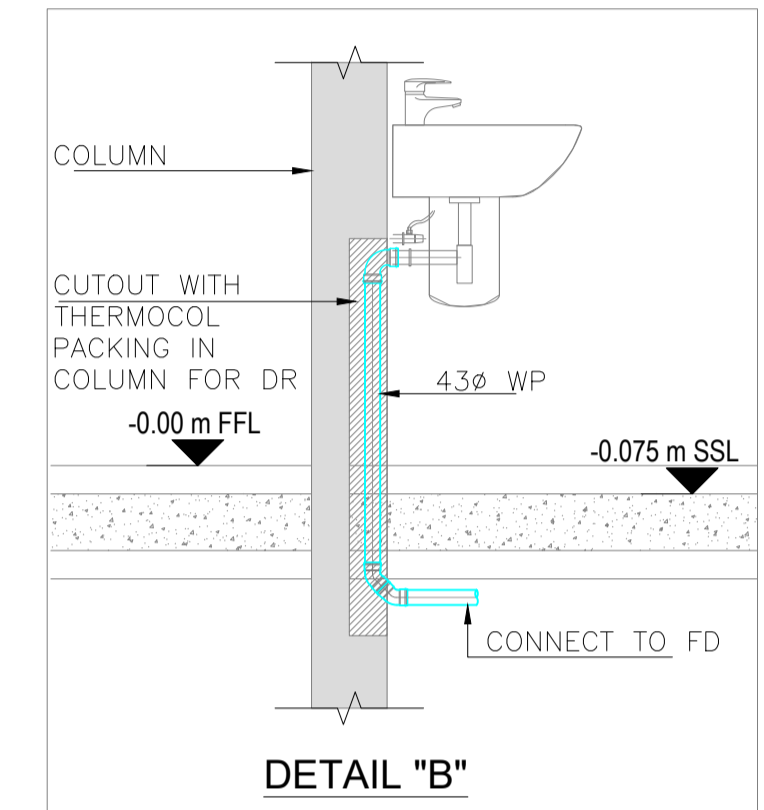
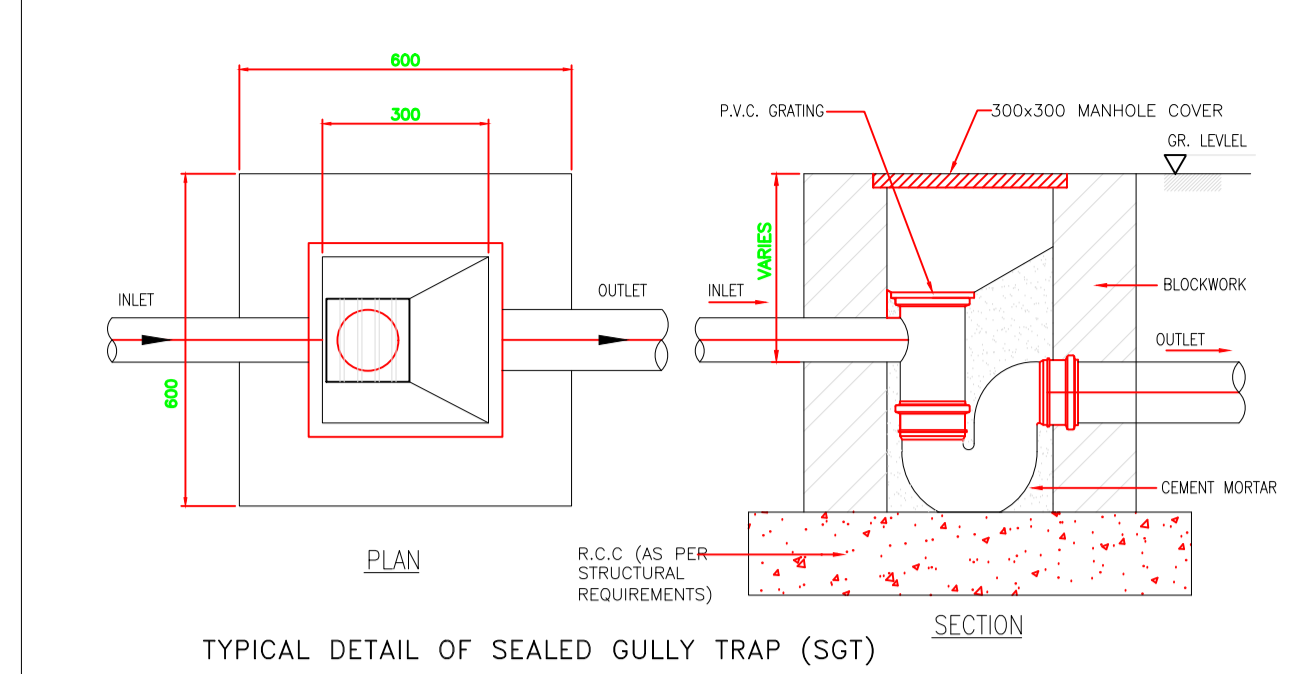
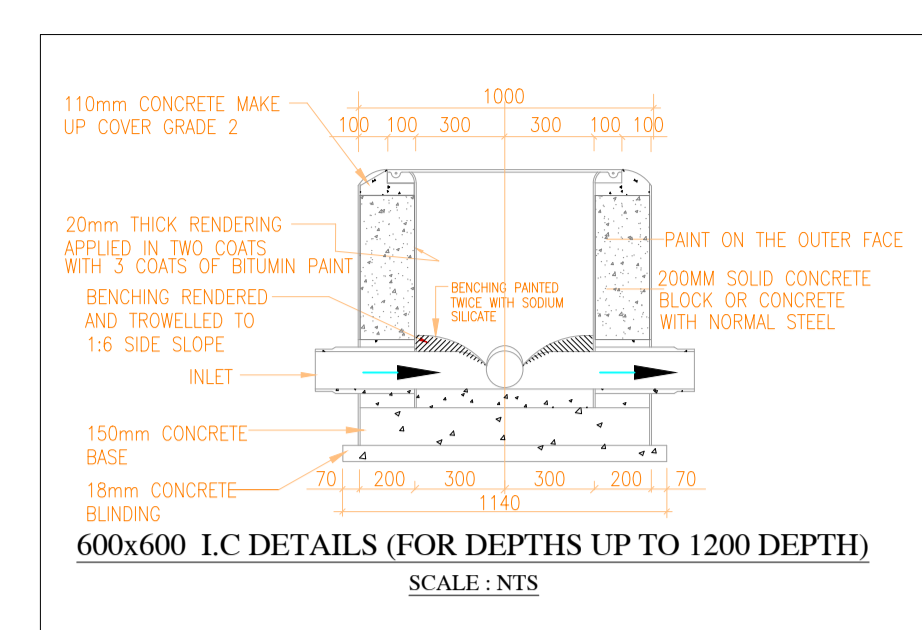
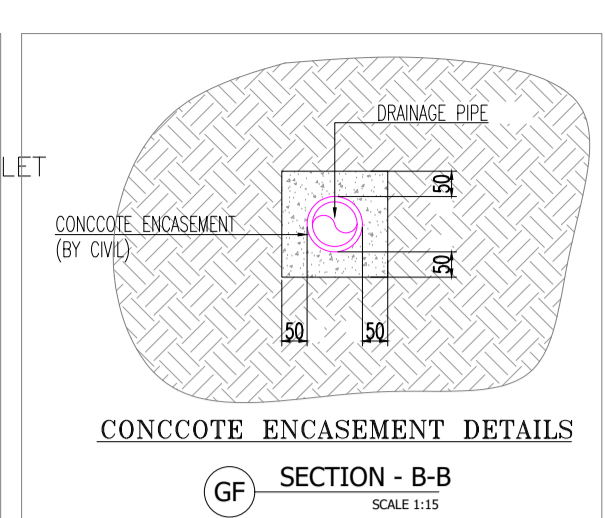
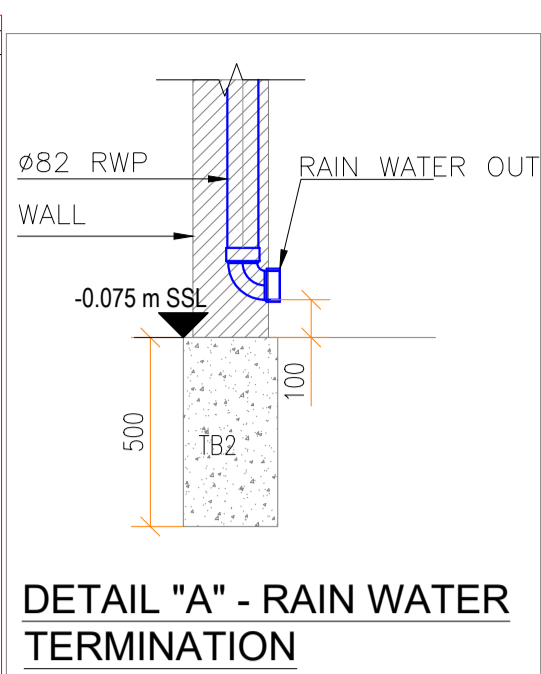
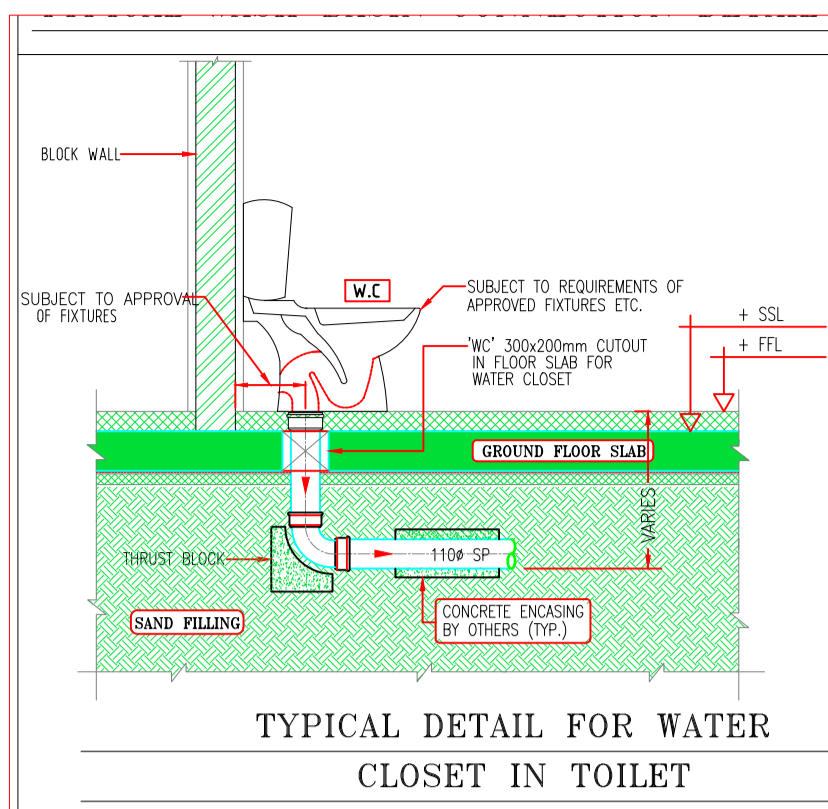
PROJECT
 PROPOSED VILLA G+1 AND DRIVER BLOCK ONLY

OWNER'S NAME.
 AYESHA HABEEB ALMUTAWA

PLOT NO. 2621183 **BLOCK** AL MIZHAR FIRST

DRG. TITLE.
 DRAINAGE LAYOUT SETTING OUT PLAN

SCALE	DATE:	NORTH	
1/75	26-08-2023	ARCH.ENG	AMAL NASER
STR.ENG	MOHAMMAD ALASMI	COg.No	114400513
JOB NO.	050/ 2023	DRG.NO:	DR-01
		COV.	110294



NOTES:
 1. This drawing is the copyright of AL AMIR ENGINEERING CONSULTANTS.- DUBAI, U. A. E.
 2. Do not scale from this drawing.
 3. All dimensions aCO in CM
 4. This drawing should be COad in conjunction with other COlevant Architectural, Structural, Mechanical and Electrical drawings and all COlevant sections of the specifications.

SL. NO.	SYMBOL	DESCRIPTION
1		WASTE PIPE (WP)
2		VENT PIPE (VP)
3		CONDENSATE DRAIN PIPE (CDP)
4		PCOSSURIZED PIPE (PP)
5		RAIN WATER PIPE
6		SOIL PIPE
7		RWP
8		PBMH
9		FIC
10		C.L
11		IL
12		F/A
13		F/B
14		T/A
15		T/B
16		H/L
17		CO
18		FCO
19		ST
20		GT
21		CB
22		FD
23		CG
24		MH

Consultant:

 042941911
 Info@alnoorcon.com
 alnoorcon.com
 Dubai - Al Garhoud
 Liberty building-office 102

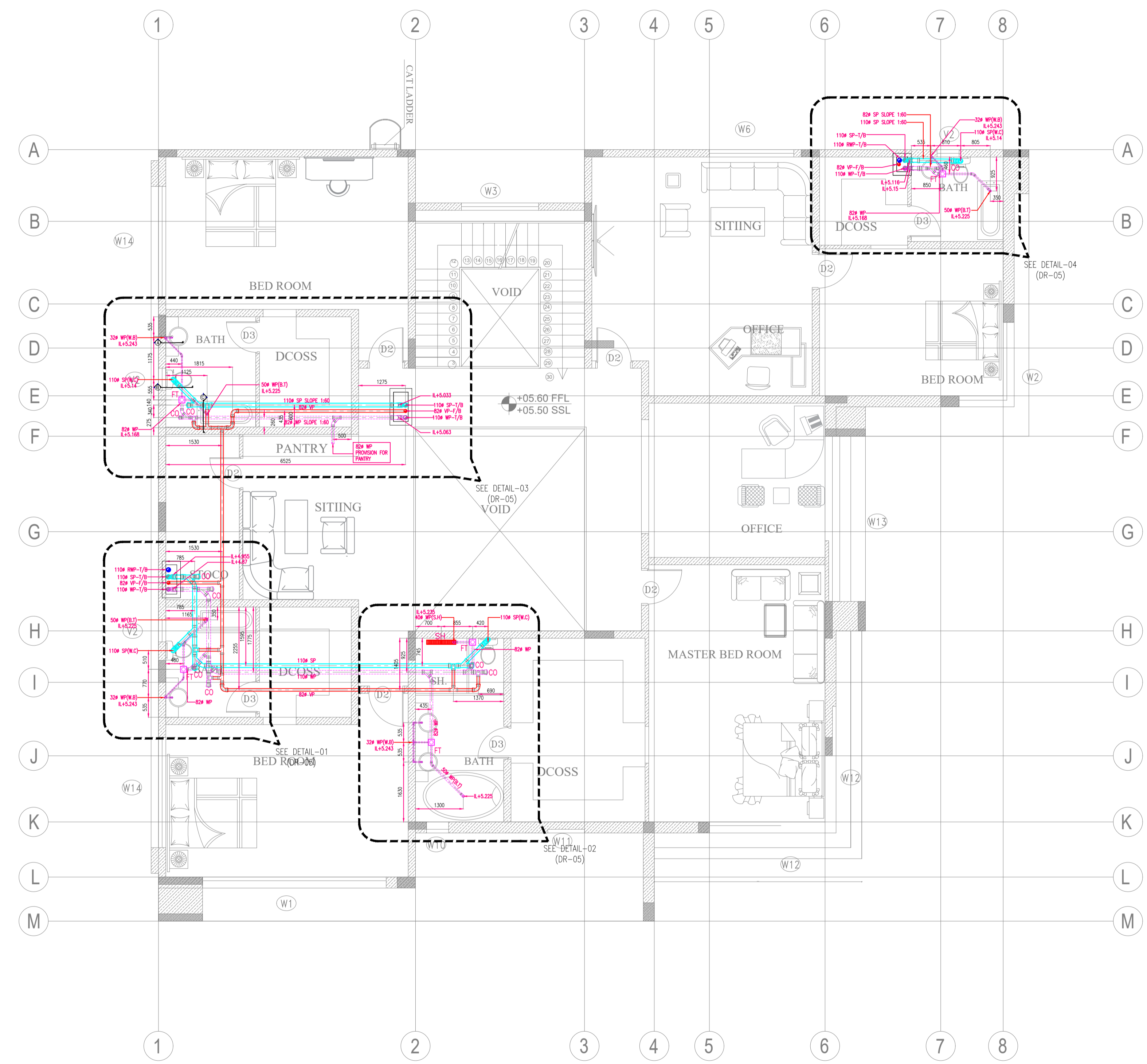
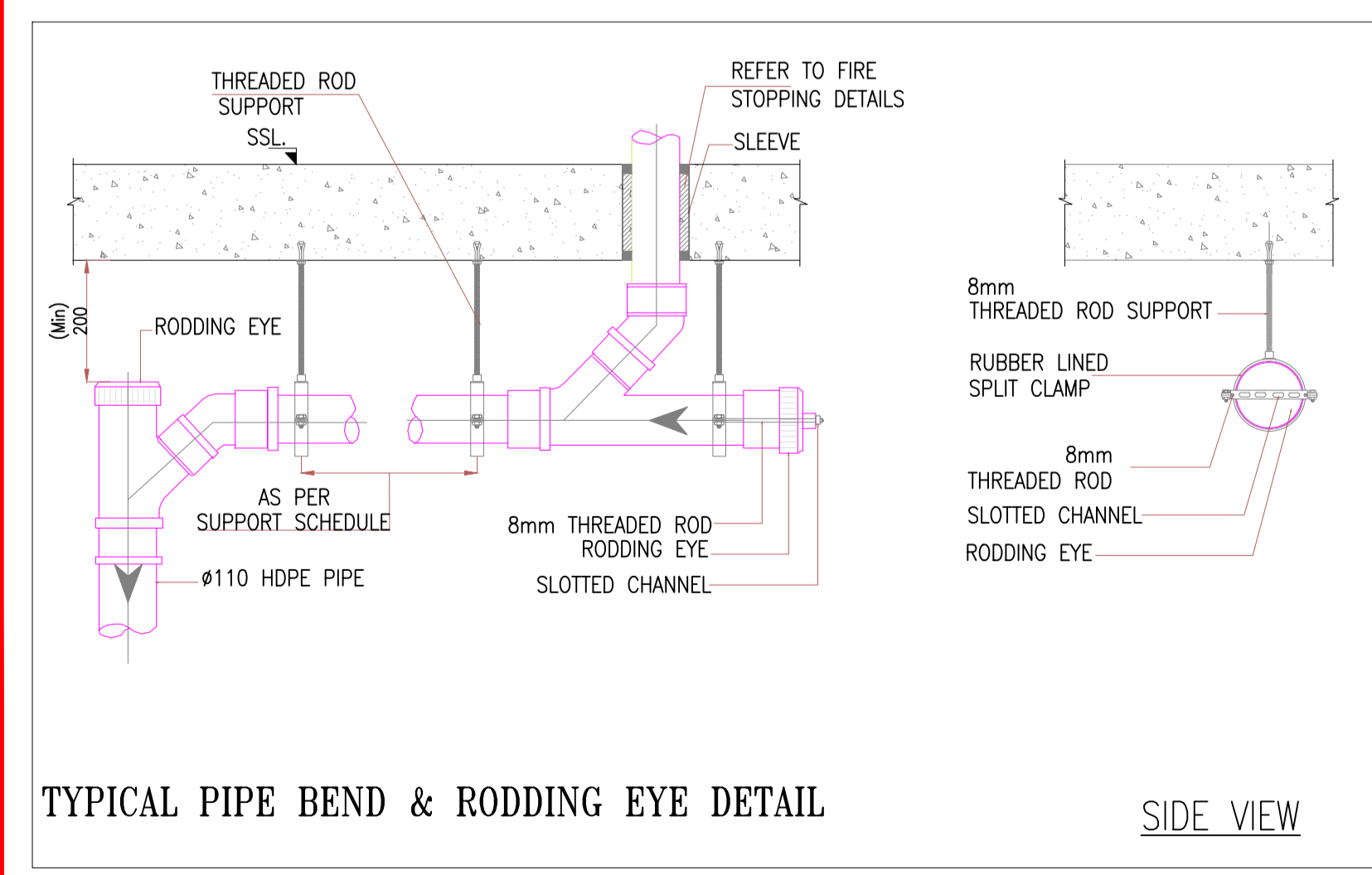
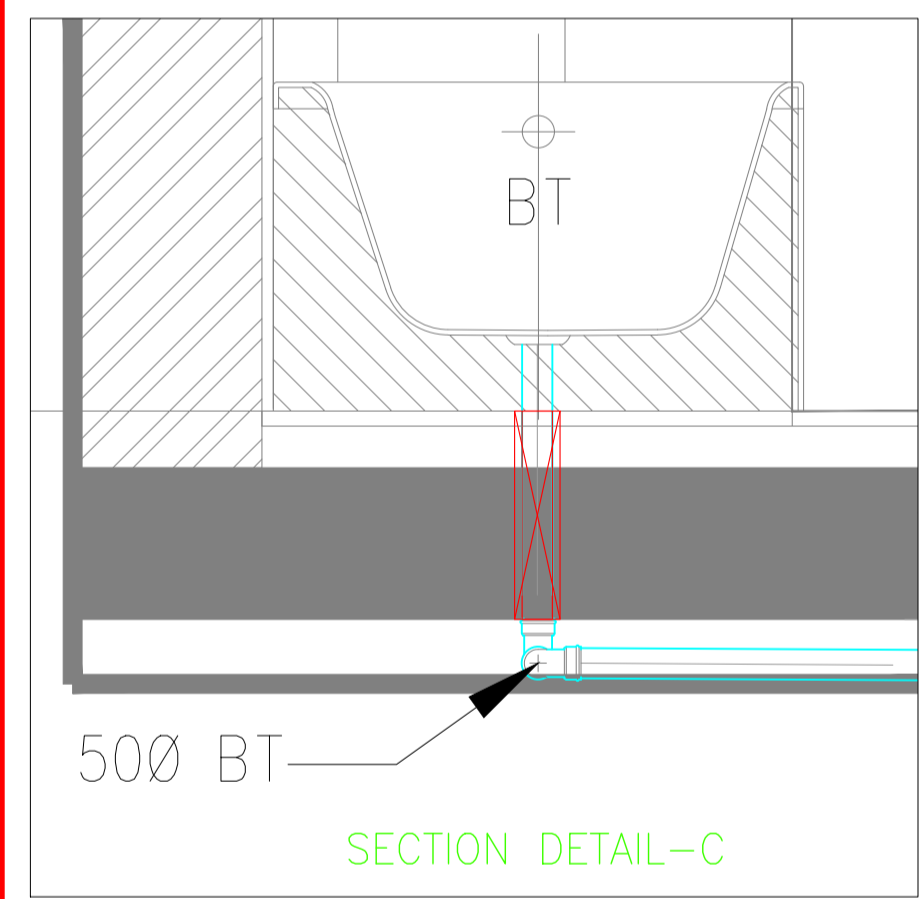
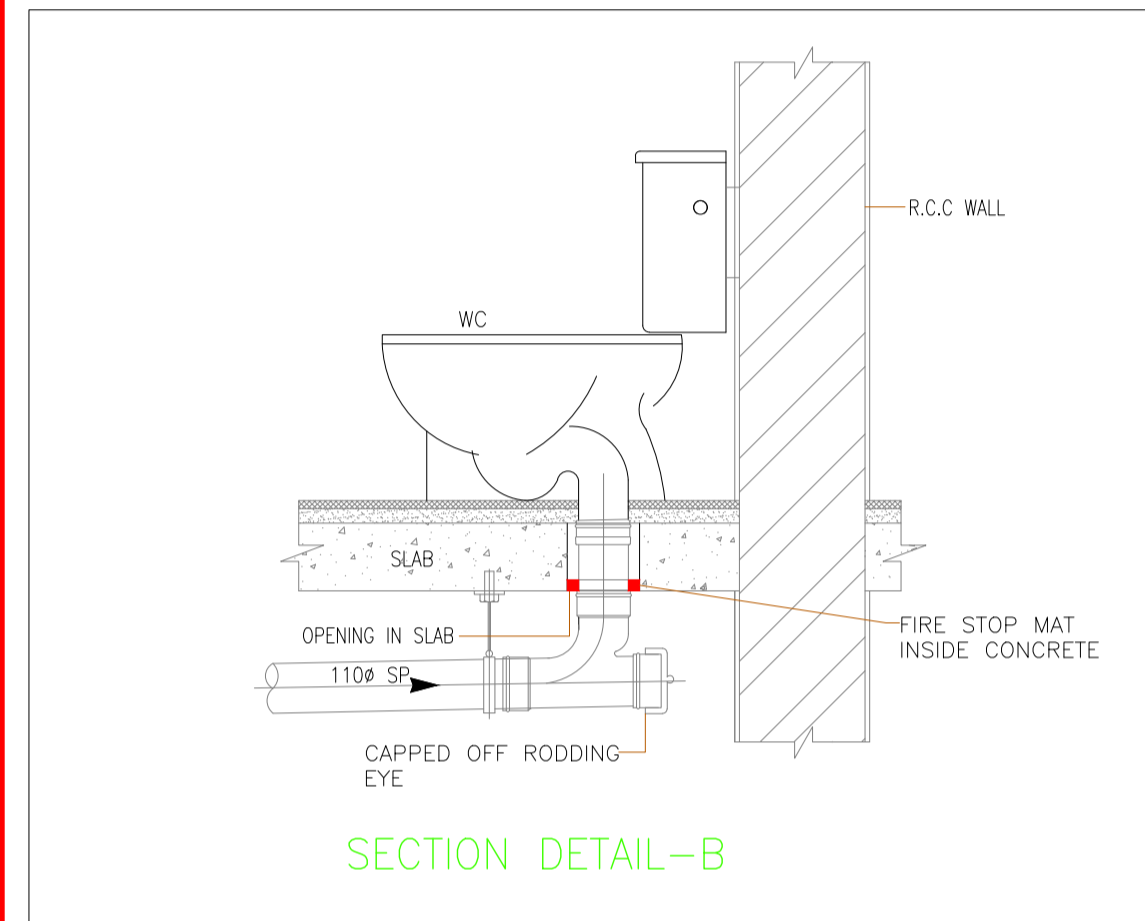
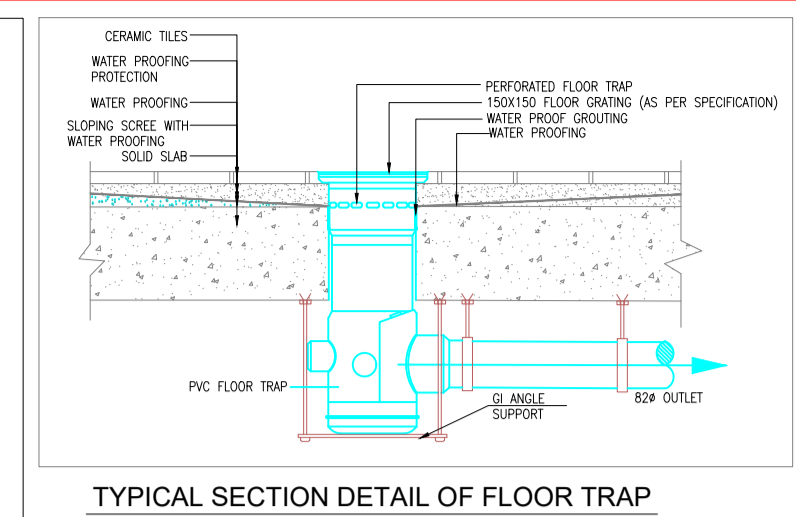
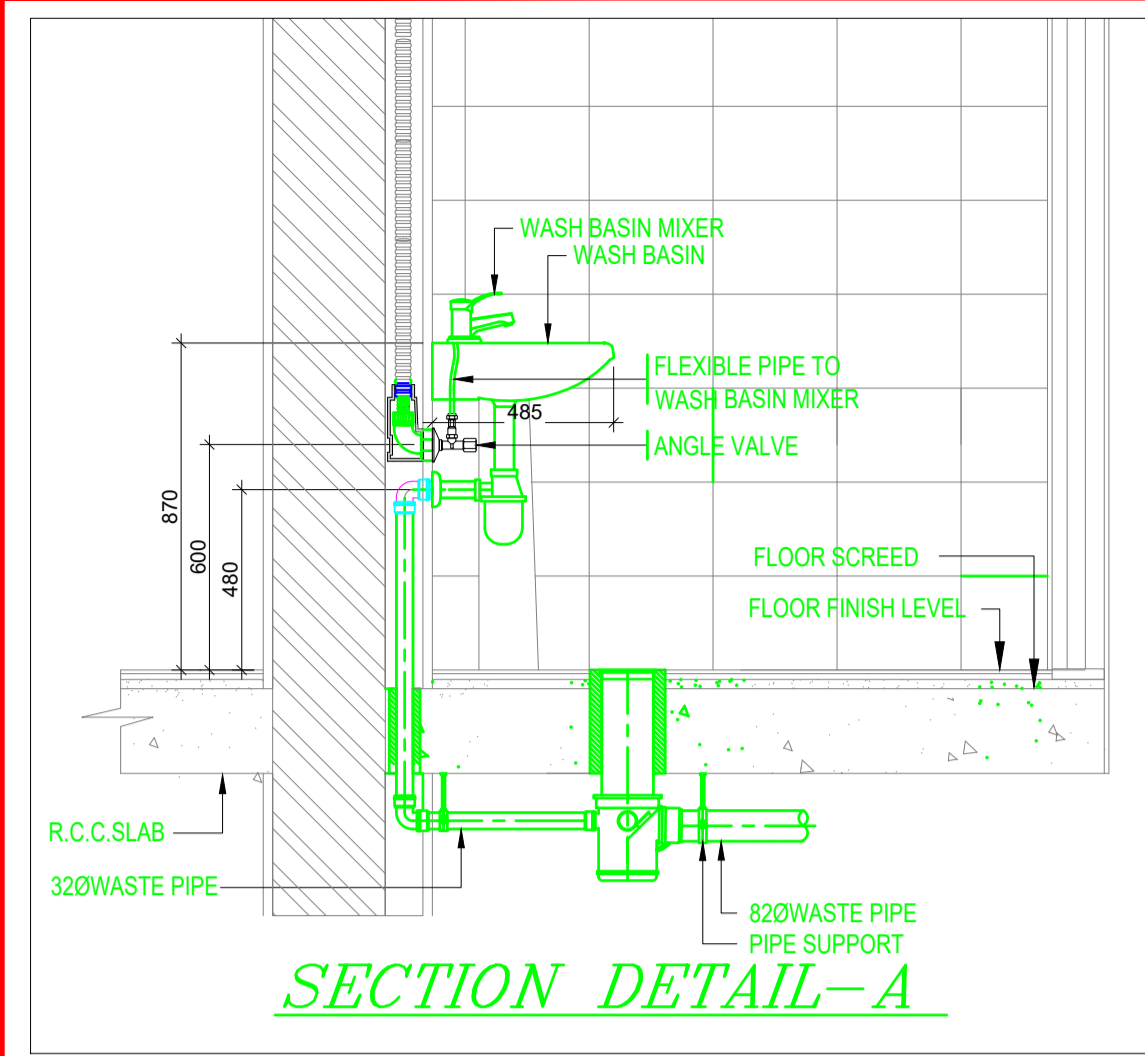
PROJECT
 PROPOSED VILLA G+1 AND DRIVER BLOCK ONLY

OWNER'S NAME.
 AYESHA HABEEB ALMUTAWA

PLOT NO. 2621183 BLOCK AL MIZHAR FIRST

DRG. TITLE.
 DRAINAGE LAYOUT GROUND FLOOR PLAN

SCALE	DATE:	NORTH	
1/75	26-08-2023		
ARCH.ENG	AMAL NASER	COg.No	114400513
STR.ENG	MOHAMMAD ALASMI	COg.No	110294
JOB NO. 050/2023	DRG.NO: DR-02	COV.	



NOTES:

1. This drawing is the copyright of AL AMIR ENGINEERING CONSULTANTS.- DUBAI, U. A. E.
2. Do not scale from this drawing.
3. All dimensions aCO in CM
4. This drawing should be COad in conjunction with other COlevant Architectural, Structural, Mechanical and Electrical drawings and all COlevant sections of the specifications.

SL. NO.	SYMBOL	DESCRIPTION
1		WASTE PIPE (WP)
2		VENT PIPE (VP)
3		CONDENSATE DRAIN PIPE (CDP)
4		PCOSSURIZED PIPE (PP)
5		RAIN WATER PIPE
6		SOIL PIPE
7		RWP
8		PBMH
9		FIC
10		C.L
11		IL
12		F/A
13		F/B
14		T/A
15		T/B
16		H/L
17		CO
18		FCO
19		ST
20		GT
21		CB
22		FD
23		CG
24		MH

Consultant:

AL NOOR
Engineering Consultants

042941911
Info@alnoorcon.com
alnoorcon.com
Dubai - Al Garhoud
Liberty building - office 102

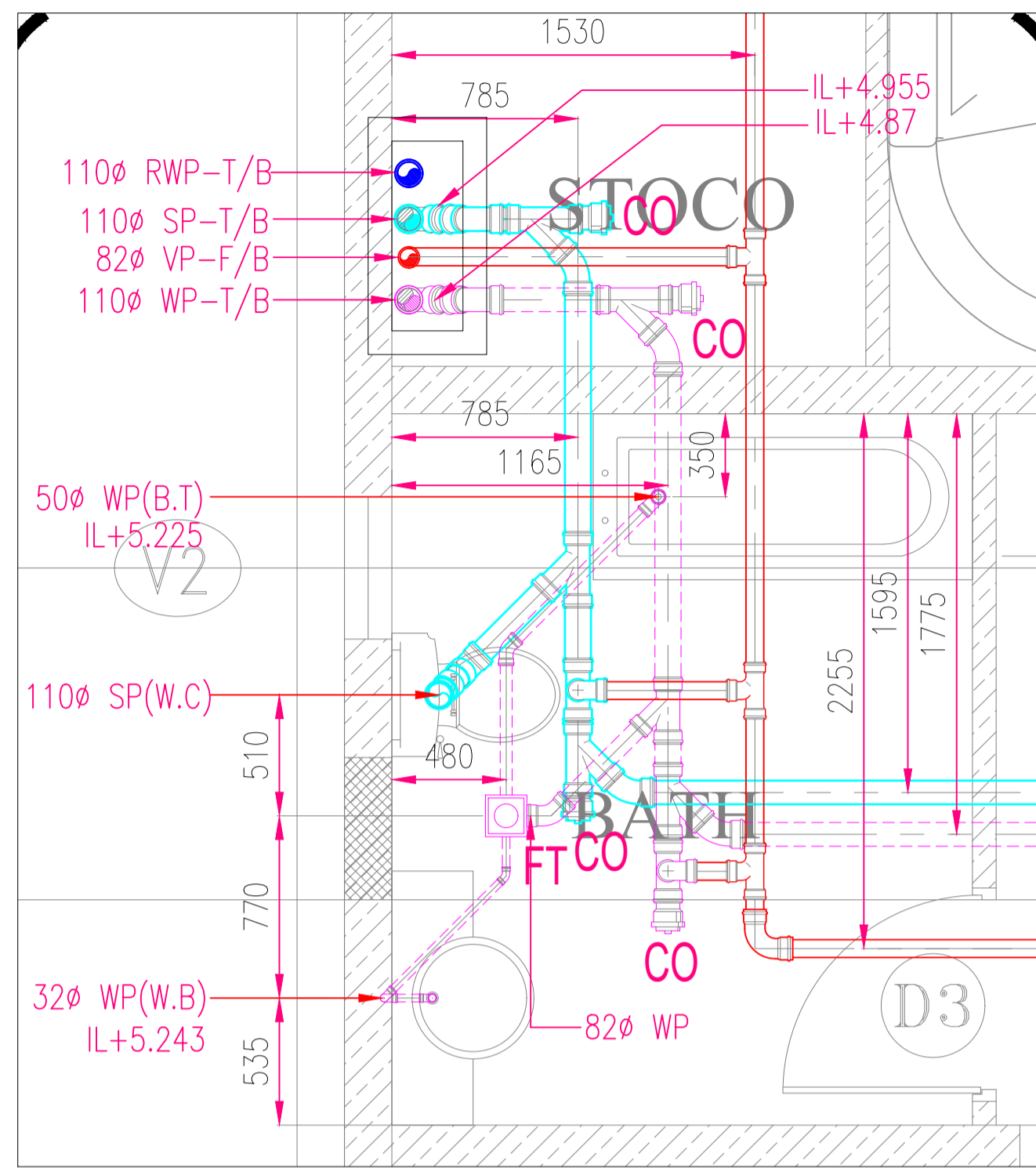
PROJECT
PROPOSED VILLA G+1 AND DRIVER BLOCK ONLY

OWNER'S NAME.
AYESHA HABEEB ALMUTAWA

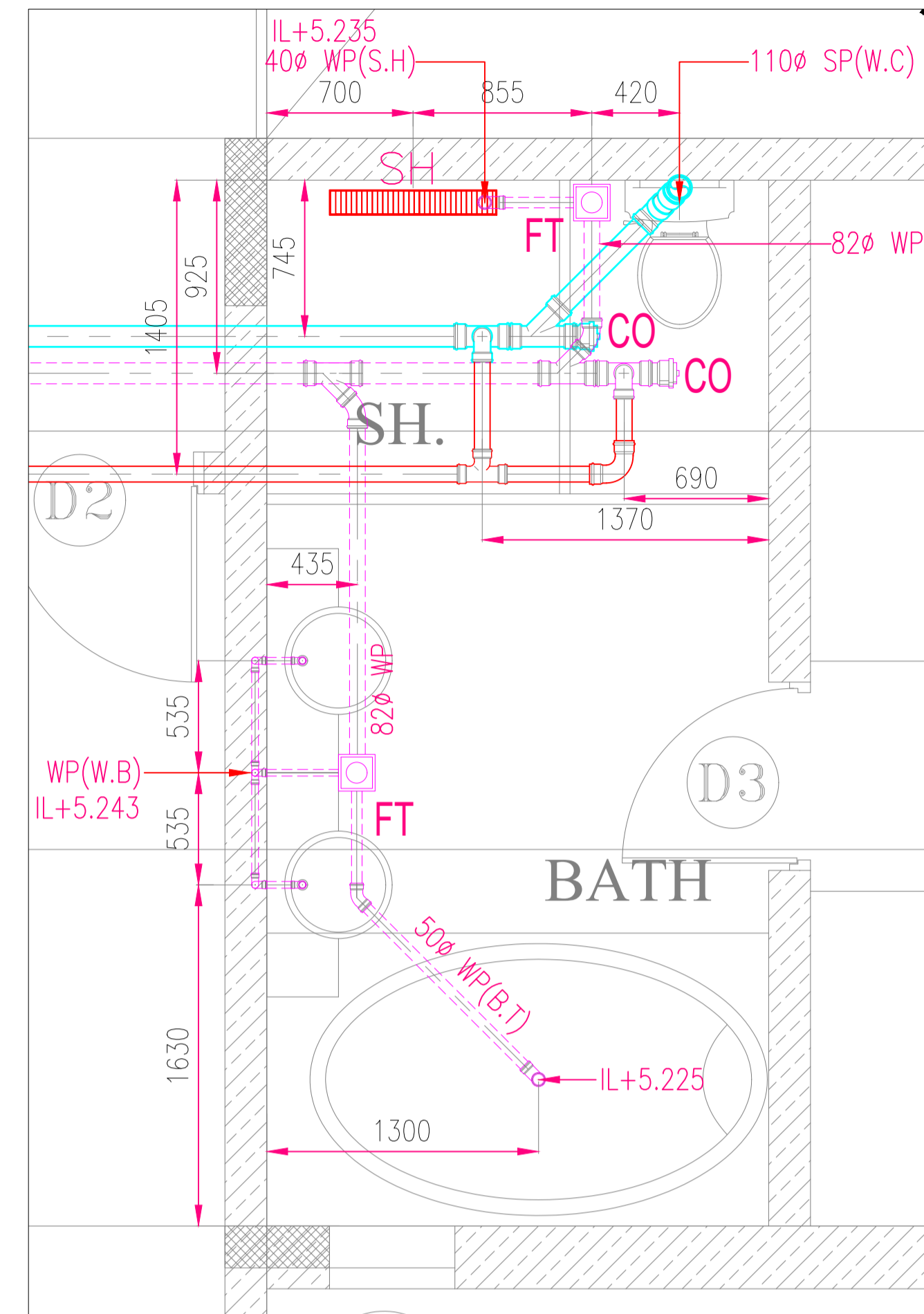
PLOT NO. 2621183
BLOCK AL MIZHAR FIRST

DRG. TITLE.
DRAINAGE LAYOUT
FIRST FLOOR PLAN

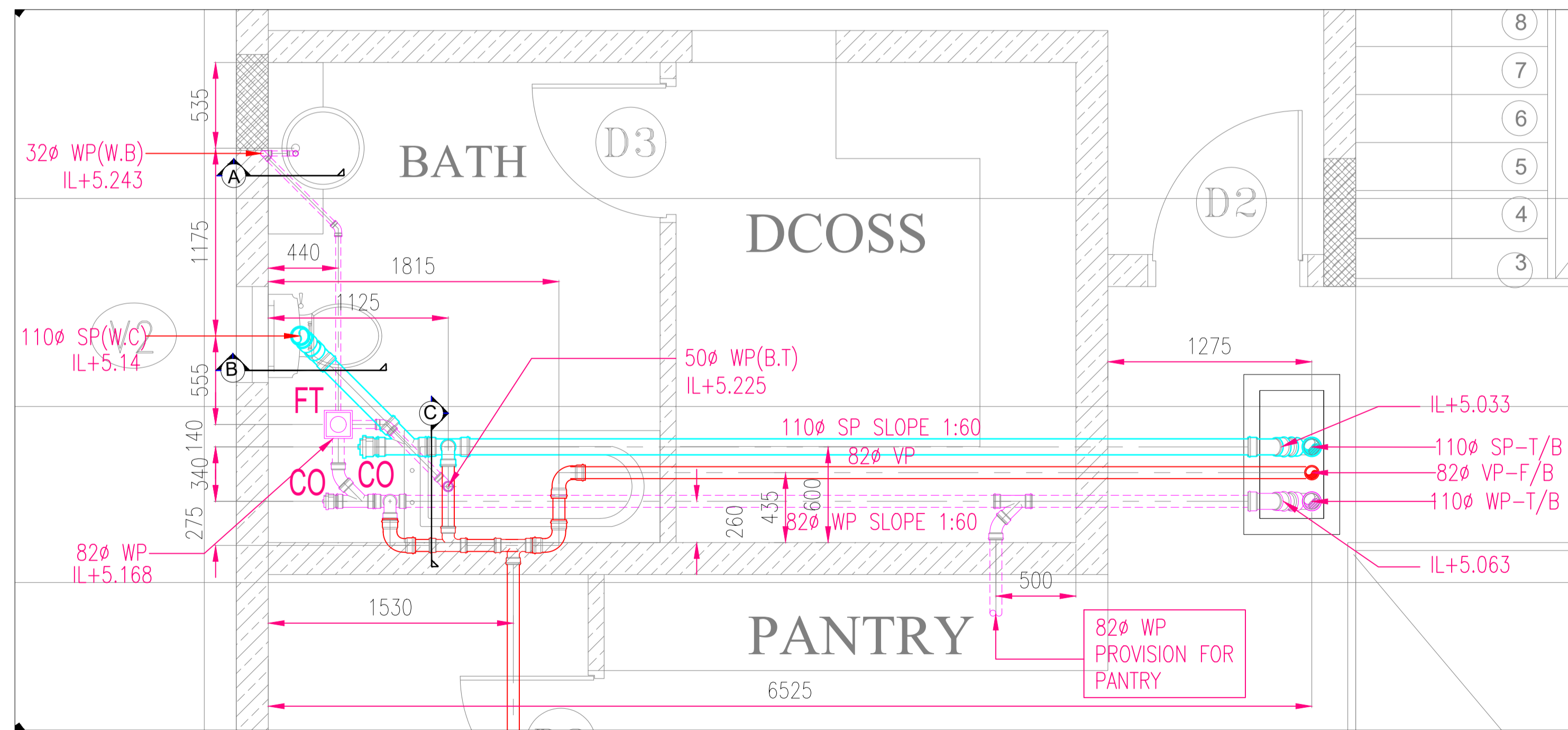
SCALE 1/75	DATE: 26-08-2023	NORTH	
ARCH.ENG AMAL NASER	COg.No 114400513		
STR.ENG MOHAMMAD ALASMI	COg.No 110294		
JOB NO. 050/ 2023	DRG.NO: DR-04	COV.	



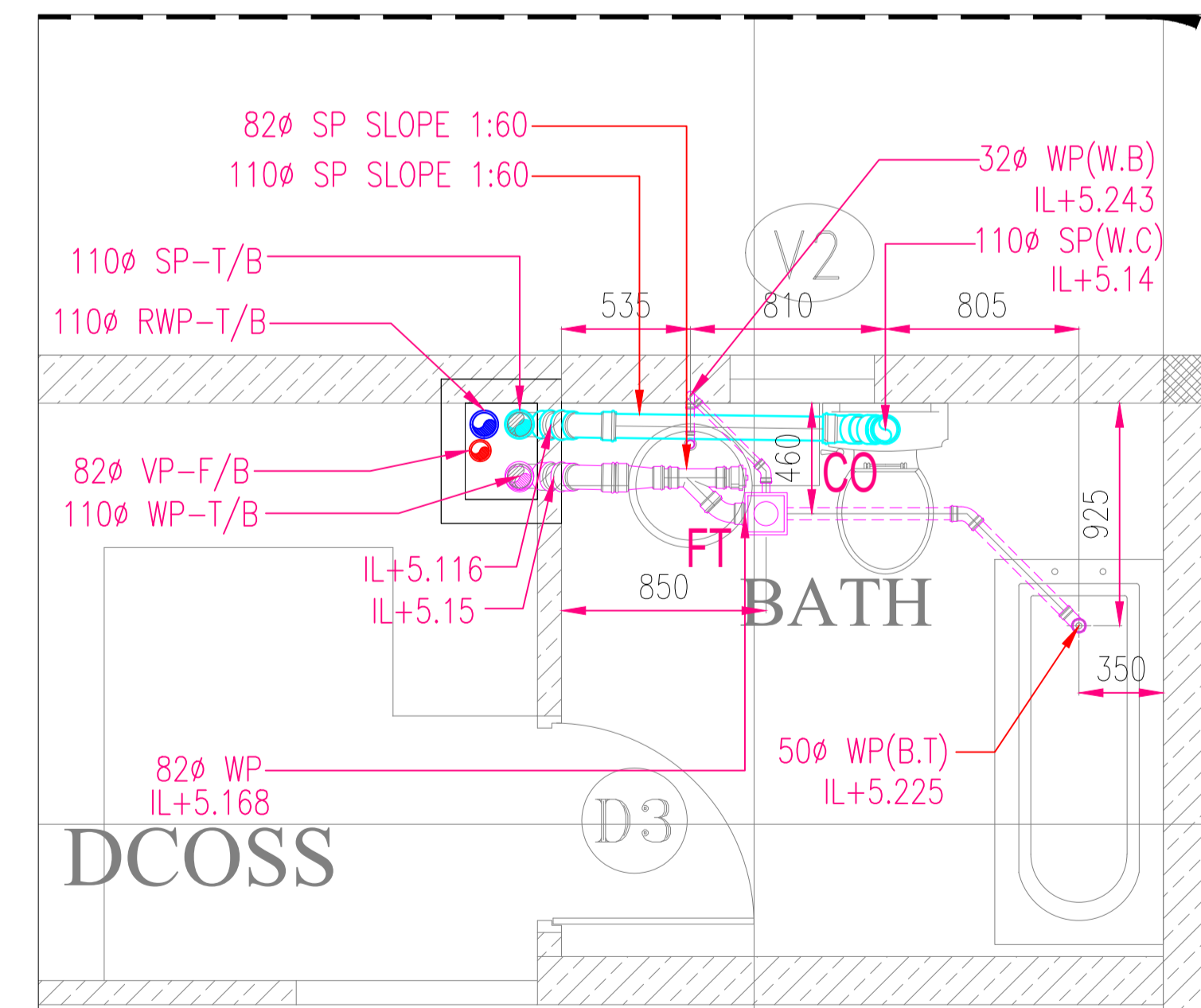
1 ENLARGE DETAIL-01
SCALE: 1:25



2 ENLARGE DETAIL-02
SCALE: 1:25



3 ENLARGE DETAIL-03
SCALE: 1:25



4 ENLARGE DETAIL-04
SCALE: 1:25

NOTES:

1. This drawing is the copyright of AL AMIR ENGINEERING CONSULTANTS.- DUBAI, U. A. E.
2. Do not scale from this drawing.
3. All dimensions aCO in CM
4. This drawing should be COad in conjunction with other COlevant Architectural, Structural, Mechanical and Electrical drawings and all COlevant sections of the specifications.

SL. NO.	SYMBOL	DESCRIPTION
1		WASTE PIPE (WP)
2		VENT PIPE (VP)
3		CONDENSATE DRAIN PIPE (CDP)
4		PCOSSURIZED PIPE (PP)
5		RAIN WATER PIPE
6		SOIL PIPE
7	RWP	RAIN WATER PIPE
8	PBMH	PRESSURE BREAKING MANHOLE
9	FIC	FINAL INSEPECTION CHAMPER
10	C.L	COVER LEVEL
11	IL	INVERT LEVEL
12	F/A	FROM ABOVE
13	F/B	FROM BELOW
14	T/A	TO ABOVE
15	T/B	TO BELOW
16	H/L	HIGH LEVEL
17	CO	CLEAN OUT
18	FCO	FLOOR CLEAN OUT
19	ST	SAND TRAP
20	GT	GULLY TRAP
21	CB	CATCH BASIN WITH SAND BUCKET OF 160mm.DEPH.MINIMUM
22	FD	FLOOR DRAIN
23	CG	CHANNEL GRATING
24	MH	MANHOLE

Consultant:

AL NOOR
Engineering Consultants

042941911
Info@alnoorcon.com
alnoorcon.com
Dubai - Al Garhoud
Liberty building- office 102

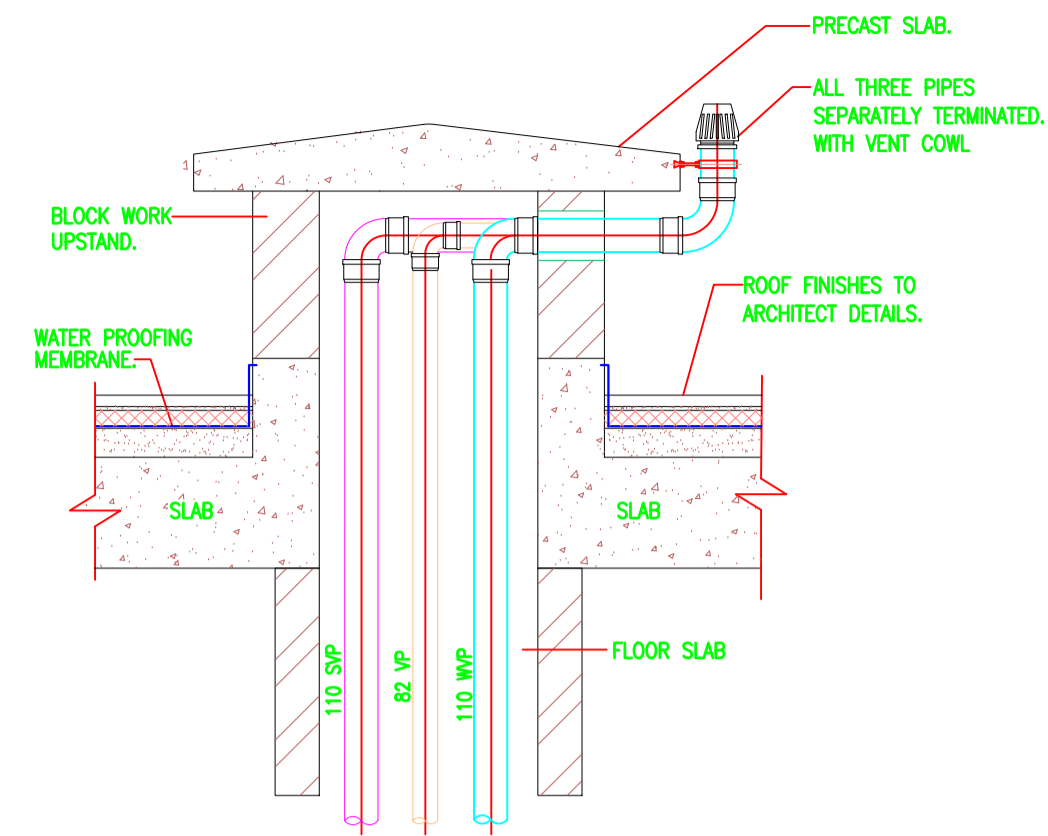
PROJECT
PROPOSED VILLA G+1 AND DRIVER BLOCK ONLY

OWNER'S NAME.
AYESHA HABEEB ALMUTAWA

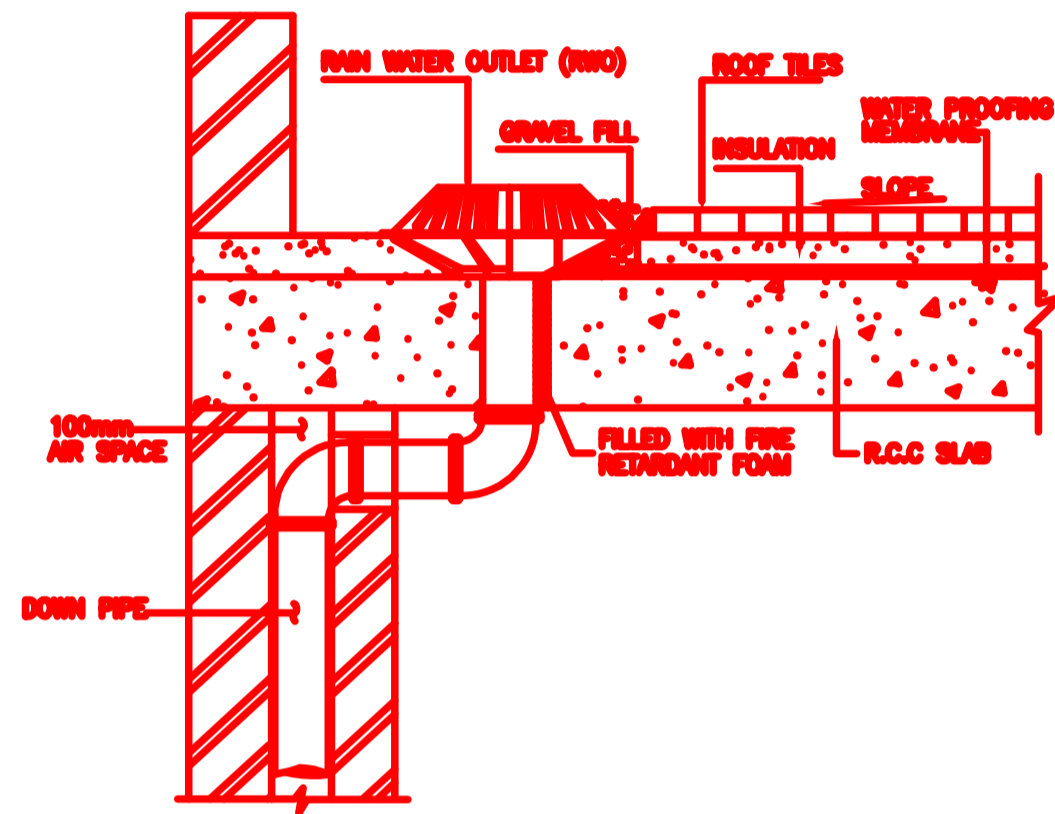
PLOT NO. 2621183 **BLOCK** AL MIZHAR FIRST

DRG. TITLE.
DRAINAGE LAYOUT
FIRST FLOOR ENLARGE DETAILS

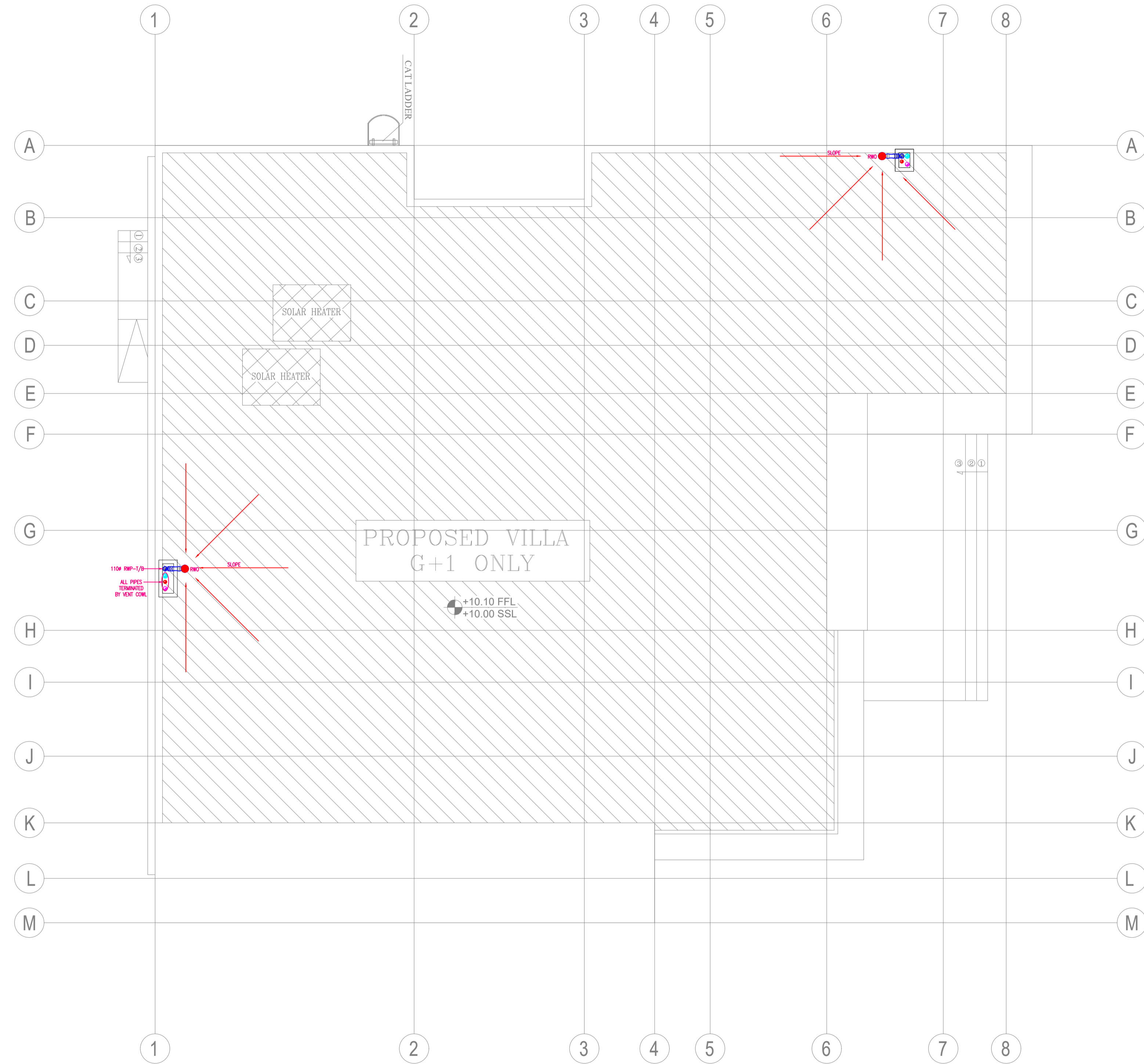
SCALE	DATE:	NORTH	
1:25	26-08-2023		
ARCH.ENG	AMAL NASER	COg.No	114400513
STR.ENG	MOHAMMAD ALASMI	COg.No	110294
JOB NO.	050/ 2023	DRG.NO:	DR-05
		COV.	



PIPE ROOF PENETRATION TYPICAL DETAIL



ROOF WATER OUTLET INSTALLATION DETAIL



NOTES:

1. This drawing is the copyright of AL AMIR ENGINEERING CONSULTANTS.- DUBAI, U. A. E.
2. Do not scale from this drawing.
3. All dimensions aCO in CM
4. This drawing should be COad in conjunction with other COlevant Architectural, Structural, Mechanical and Electrical drawings and all COlevant sections of the specifications.

SL. NO.	SYMBOL	DESCRIPTION
1		WASTE PIPE (WP)
2		VENT PIPE (VP)
3		CONDENSATE DRAIN PIPE (CDP)
4		PCOSSURIZED PIPE (PP)
5		RAIN WATER PIPE
6		SOIL PIPE
7		RWP
8		PBMH
9		FIC
10		C.L
11		IL
12		F/A
13		F/B
14		T/A
15		T/B
16		H/L
17		CO
18		FCO
19		ST
20		GT
21		CB
22		FD
23		CG
24		MH

Consultant:

042941911
 Info@alnoorcon.com
 alnoorcon.com
 Dubai - Al Garhoud
 Liberty building- office 102

PROJECT
 PROPOSED VILLA G+1 AND DRIVER BLOCK ONLY

OWNER'S NAME.
 AYESHA HABEEB ALMUTAWA

PLOT NO. 2621183 **BLOCK** AL MIZHAR FIRST

DRG. TITLE.
 DRAINAGE LAYOUT
 ROOF FLOOR PLAN

SCALE 1/75	DATE: 26-08-2023	NORTH	
ARCH.ENG AMAL NASER	COg.No 114400513	STR.ENG MOHAMMAD ALASMI	COg.No 110294
JOB NO. 050/ 2023	DRG.NO: DR-06	COV.	